

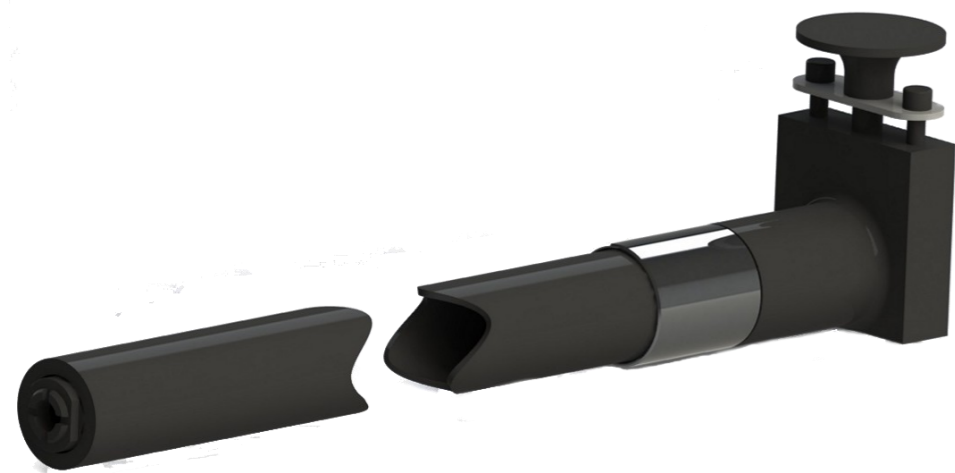
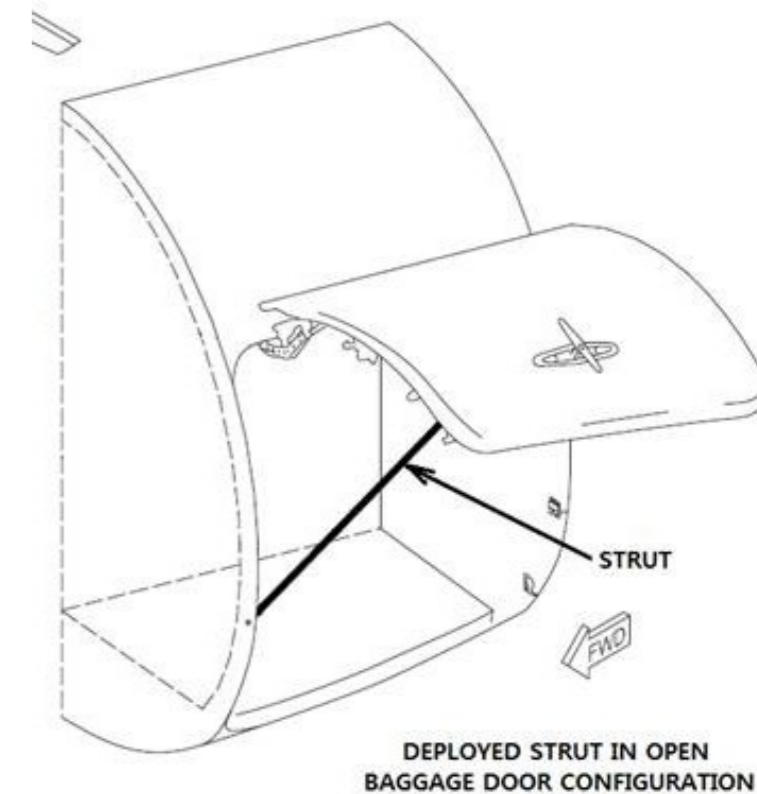


CARGO DOOR STRUT REPAIR

DASH 8 Q400

REPAIR RDA A-RA14-002/D

The Engineering Team at 3 Points Aviation has developed this RDA for PN ST464-1 (Aft Baggage Door Telescopic Strut) that will repair either the broken strut tube end or the broken lock assembly end or both! It also replaces the original weak threaded aluminum connection with a superior durability stainless steel repair coupling!



Aft Baggage Door Telescopic Strut
PN ST464-1

This repair is available to you at an **EXTREMELY** competitive price!

Contact a member of our sales team to learn more!

Phone: (902) 628-8846

airlines@3pointsaviation.com

www.3pointsaviation.com